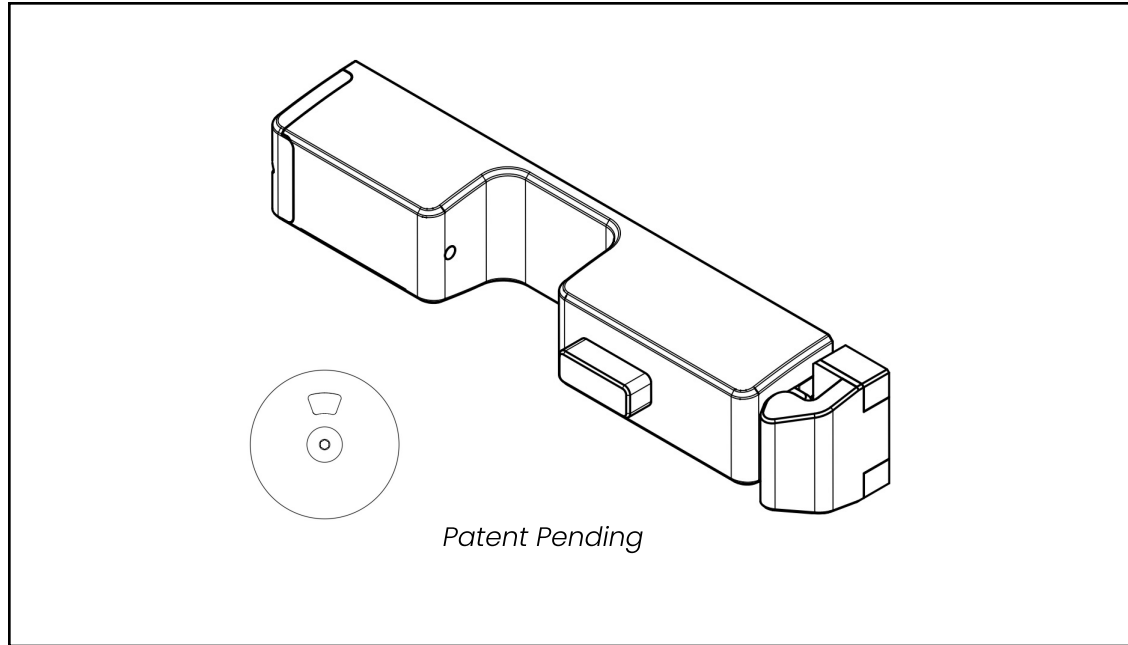




Technical Specifications



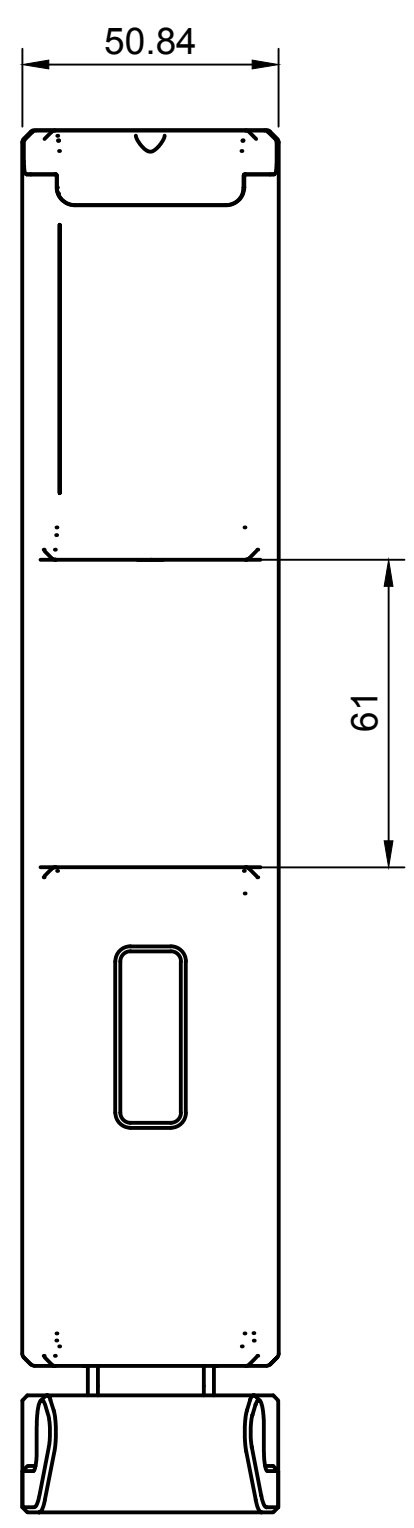
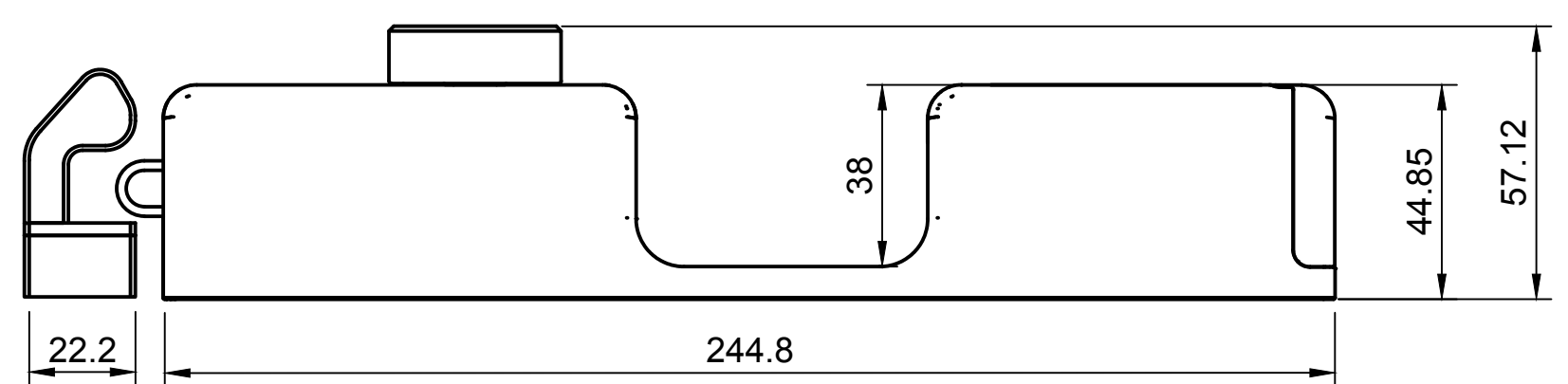
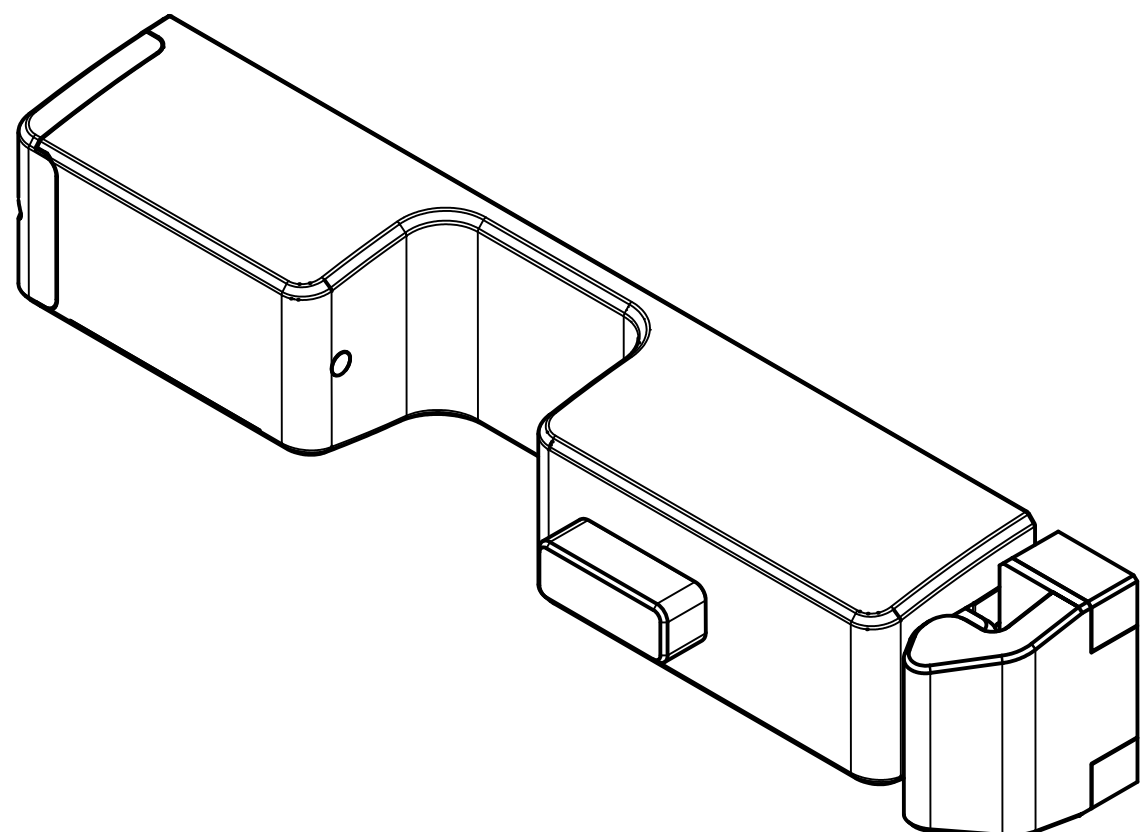
Finish: Matte Black, Brushed Stainless Steel, Anodized Aluminum

Size: See Specs

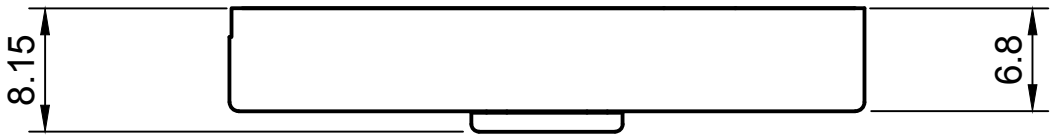
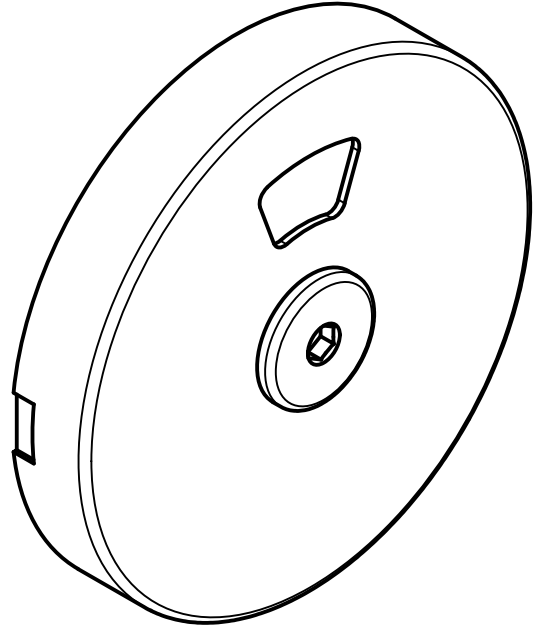
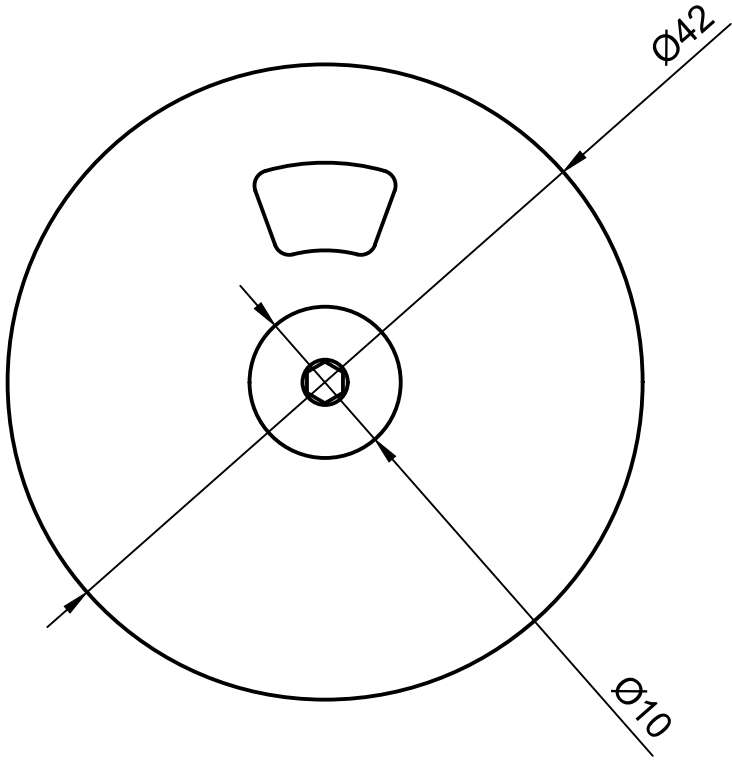
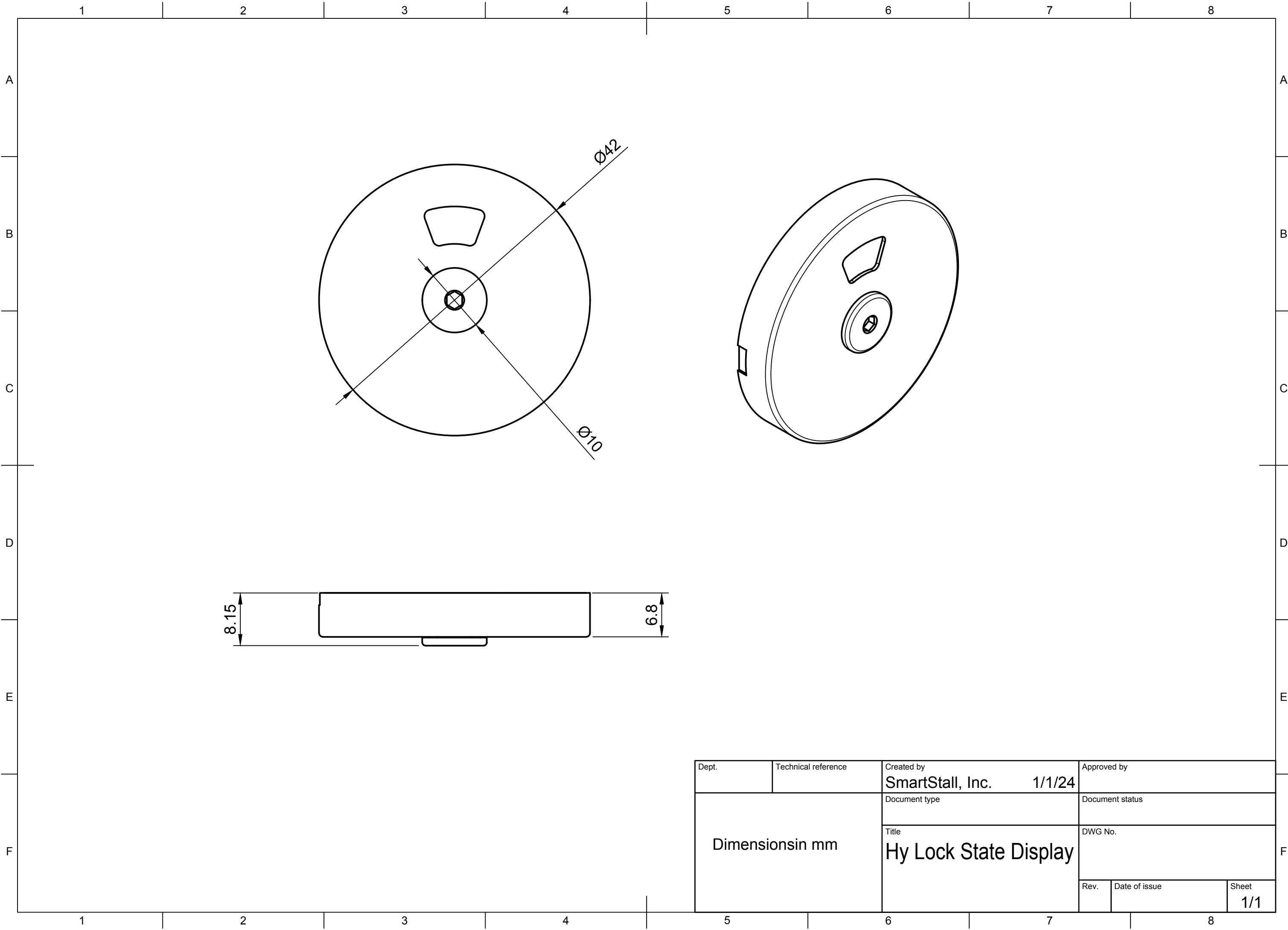
Weight: ~1 lb

Material: Corresponding Metal, Metal Alloy, ABS, Nylon

Batteries: 4xAA



Dept.	Technical reference	Created by SmartStall, Inc.	1/1/24	Approved by
Dimensions in mm		Document type	Document status	
		Title Hy Lock	DWG No.	
Rev.	Date of issue	Sheet	1/1	



Dept.	Technical reference	Created by SmartStall, Inc.	1/1/24	Approved by
Dimensions in mm		Document type	Document status	
		Title Hy Lock State Display	DWG No.	
Rev.	Date of issue	Sheet	1/1	